



Supporting you

1300 362 923

www.healthtec.com.au

BARIATRIC

Hi-Capacity Bobath

The Ultimate in Neurological Plinths, designed for the unique requirements of Bariatric Patients

Offering unparalleled levels of safety for the patient and practitioner the column design eliminates pinch and crush points ensuring safe and efficient care for both the patient and practitioner.

The open base design allows for patient lifter access even at its lowest height with no lateral movement during height operation and the fully electric powered backrest takes the strain out of positioning the bariatric patient. A double footswitch is supplied as standard but an optional multi-function hand switch is also available.

The extremely high SWL allows for more than one practitioner to be assisting even the heaviest client when necessary.



FEATURES

- Electric height & backrest adjustment with footswitch
- No pinch or crush points
- Heavy duty hospital grade lockable castors
- Durable powder coated rust resistant frame
- High quality anti-microbial vinyl & CFC free foam
- Australian designed & manufactured

SPECIFICATIONS

WIDTH	1200mm
LENGTH	2000mm
FOAM	50mm Enduro Foam
VINYL	PVC (tested to AS1530.3)
HEIGHT RANGE	470mm to 870mm
LIFT CAPACITY	350kg (moving)
SAFE WORKING LOAD	400kg (stationary)
ADJUSTMENTS	Backrest -30° to +45)
WARRANTY	5 year Electrical Lifetime Structural (parts only)



The Healthtec Warranty

Healthtec offers a lifetime warranty on all our manufactured tables and a five year warranty on motors and foot switches from date of purchase. Original suppliers warranty applies.

ARTG 132667

© August 2018





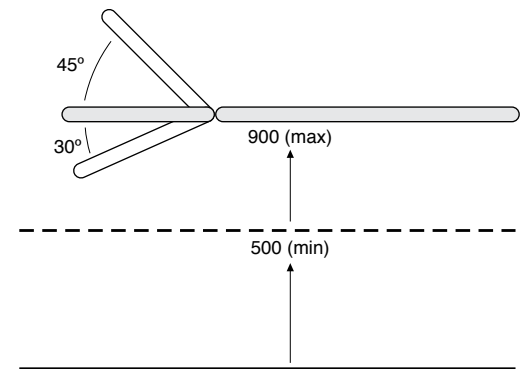
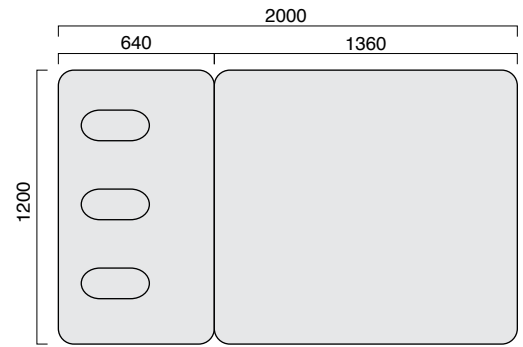
Supporting you

www.healthtec.com.au

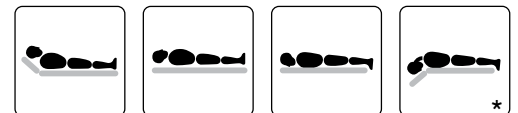
PRICE SHEET

Hi-Capacity Bobath

	CODE	QTY
Product Description		
HiCap Bobath – Two Section w/Electric Backrest (-30° to +45°)	55811	
Foam & Vinyl Options		
75mm Comfort Foam	6005	
Non-Stock Vinyl Option	6018	
*please refer to our colour chart for vinyl colour options		
Extended Warranty		
10 years on Electrical	7800	
Freight		
Freight charges are not included in our prices. Please contact your Healthtec representative for freight costs and options.		
Shipping Dimensions	2200mm x 1300mm x 700mm	
Shipping Weight	120kg (approximately)	



55811



* 55811 model only

FRECALL
1300 362 923
 info@healthtec.com.au



Healthtec Pty Ltd ABN 94 224 518 379 ARTG 132667
 © August 2018

Disclaimer: Due to our policy of constant product improvement, specifications may change without notice. Check with us for the latest specifications and pricing.