



Supporting you

1300 362 923

www.healthtec.com.au

REHABILITATION RANGE

Tilt Table

Ideal for rehab wards or diagnostic clinics doing venous testing.

This affordable Australian made tilt table offers a smooth and quiet tilt function from horizontal to +85° with infinite adjustment in between. The unique footplate design is the only tilt table on the market which allows the patient to walk on and walk off safely when at full vertical tilt. The footplate can simply be folded away to convert the table into an examination/treatment table when required. Supplied standard with three extra wide safety straps, multi-function hand controls, heavy duty independently lockable castors. Optional plantar/dorsi flexion footplate, either single or individual, available on request.



FEATURES

- Electric height & tilt adjustment with hand switch
- Single foldaway footplate as standard
- Optional +/- 10° plantar/dorsi footplate available (single or individual)
- 3 x Patient safety straps supplied as standard
- Footplates can foldaway converting the tilt table into an examination table when required
- Independently operated tilt and height adjustment – can be operated at the same time or individually from any position
- Heavy duty industrial lockable castors
- Australian designed and manufactured

SPECIFICATIONS

WIDTH	710mm
LENGTH	1930mm
FOAM	50mm
VINYL	PVC (tested to AS1530.3)
HEIGHT RANGE	600mm to 1000mm
HEIGHT SPEED	Full height within 28 seconds
CONTROLLER	Handswitch
BASE	X-Frame with lockable castors
LIFT CAPACITY	200kg (moving)
SAFE WORKING LOAD	400kg (stationary)
WARRANTY	5 year Electrical Lifetime Structural (parts only)



The Healthtec Warranty

Healthtec offers a lifetime warranty on all our manufactured tables and a five year warranty on motors and foot switches from date of purchase. Original suppliers warranty applies.

ARTG 132667

© October 2018





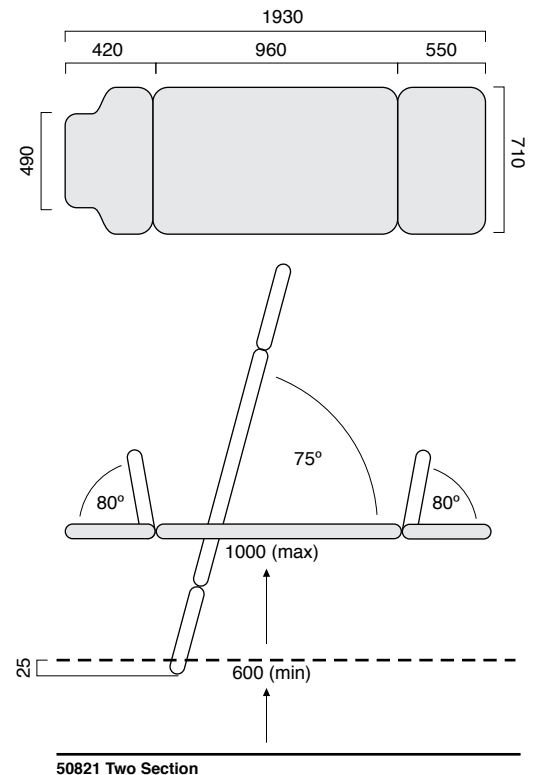
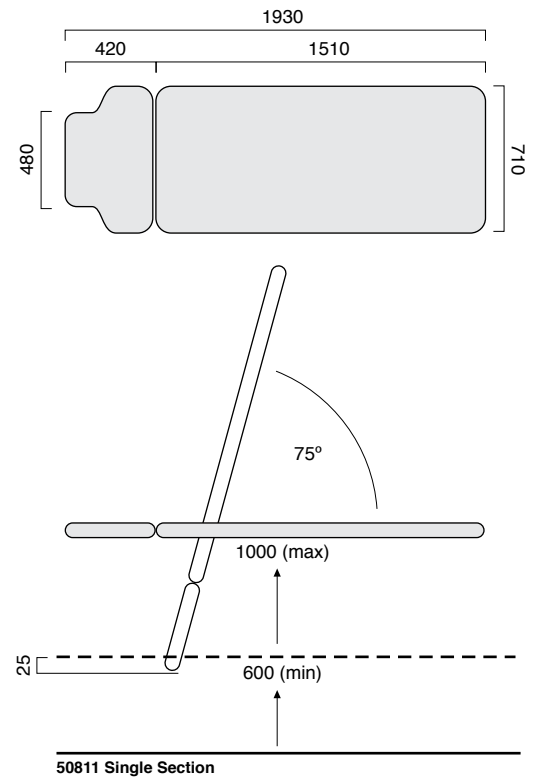
Supporting you

www.healthtec.com.au

PRICE SHEET

Tilt Table

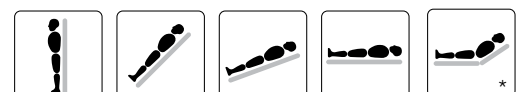
Product Description	CODE	QTY
HT Tilt Table (710 wide) – Single Section w/castors and One Piece Footplate T motion	50811T	
HT Tilt Table (710 wide) – Two Section w/castors and Split Footplate & One Piece Footplate T motion	50821T	
HT Tilt Table (710 wide) – Two Section w/castors and Split Footplate T motion	50831T	
Width Options		
760mm Width Option	-75	
Custom Width Option	6014	
Foam & Vinyl Options		
75mm Comfort Foam	6005	
Non-Stock Vinyl Option	6018	
*please refer to our colour chart for vinyl colour options		
Nose Hole Options		
Nose Hole	6011	
Nose Hole Plug	6010	
Motor Options		
Electric Operated Backrest (2 section model only)	6031	
Battery Backup	6036-1	
Footplate Options		
+/- 10° Plantar/Dorsi Flexion Footplate	5087	
Castor Option		
Hoist Access 140mm Clearance	6028	
Rail Options		
Side Rail (Left/Right) Pair	5116	
Tilt Table Specific Options		
Inclination Indicator	6023	
Tilt Table Patient Strap - Additional	5048	
Table Protection		
Paper Towel Roll Holder	6017	
Extended Warranty		
10 Years on Electrical	7800	
Freight		
Freight charges are not included in our prices. Please contact your Healthtec representative for freight costs and options.		
Shipping Dimensions	2050mm x 850mm x 650mm	
Shipping Weight	80kg (approximately)	



FREECALL
1300 362 923
 info@healthtec.com.au

Healthtec Pty Ltd ABN 94 224 518 379 ARTG 132667 © October 2018

Disclaimer: Due to our policy of constant product improvement, specifications may change without notice. Check with us for the latest specifications and pricing.



* 50821 Only